

FOLLOWSPOT 2005T

User Manual




CHAUVET **2**

Edition Notes

The Followspot 200ST User Manual includes a description, safety precautions, installation, programming, operation, and maintenance instructions for the Followspot 200ST as of the release date of this edition.

Trademarks

Chauvet, Chauvet DJ, the Chauvet logo, and Followspot are registered trademarks or trademarks of Chauvet & Sons, LLC (d/b/a Chauvet and Chauvet Lighting) in the United States and other countries. Other company and product names and logos referred to herein may be trademarks of their respective companies.

Copyright Notice

The works of authorship contained in this manual, including, but not limited to, all designs, text, and images are owned by Chauvet.

© Copyright 2025 Chauvet & Sons, LLC. All rights reserved.

Electronically published by Chauvet in the United States of America.

Manual Use

Chauvet authorizes its customers to download and print this manual for professional information purposes only. Chauvet expressly prohibits the usage, copy, storage, distribution, modification, or printing of this manual or its content for any other purpose without written consent from Chauvet.

Document Printing

For best results, print this document in color, on letter size paper (8.5 x 11 in), double-sided. If using A4 paper (210 x 297 mm), configure the printer to scale the content accordingly.

Intended Audience

Any person installing, operating, and/or maintaining this product should completely read through the guide that shipped with the product, as well as this manual, before installing, operating, or maintaining this product.

Disclaimer

Chauvet believes that the information contained in this manual is accurate in all respects. However, Chauvet assumes no responsibility and specifically disclaims any and all liability to any party for any loss, damage, or disruption caused by any errors or omissions in this document, whether such errors or omissions result from negligence, accident, or any other cause. Chauvet reserves the right to revise the content of this document without any obligation to notify any person or company of such revision; however, Chauvet has no obligation to make, and does not commit to make, any such revisions.

Document Revision

Go to www.chauvetdj.com for the latest version.

Revision	Date	Description
1	01/2025	Initial release.

TABLE OF CONTENTS

1. Before You Begin	1
What Is Included	1
Unpacking Instructions	1
Claims	1
Text Conventions	1
Symbols	1
Safety Notes	2
2. Introduction	3
Product Overview	3
Product Dimensions	4
3. Setup	5
AC Power	5
Fuse Replacement	5
Mounting	6
Orientation	6
Rigging	6
4. Operation	7
Control Panel Operation	7
Menu Map	8
DMX Configuration	8
Personality and Starting Address	8
DMX Channel Assignments and Values	8
DMX Charts	8
Manual Configuration	9
Dimmer Control	9
LED Control	9
Blackout	9
Strobe	9
Color Wheel	9
Color Wheel Calibration Mode	9
5. Maintenance	10
Product Maintenance	10
6. Technical Specifications	11
Contact Us	12
Warranty & Returns	12

1. Before You Begin

What Is Included

- Followspot 200ST
- Power cable
- Tripod
- Quick Reference Guide

Unpacking Instructions

Carefully unpack the product immediately and check the container to make sure all the parts are in the package and are in good condition.

Claims





If the box or the contents (the product and included accessories) appear damaged from shipping, or show signs of mishandling, notify the carrier immediately, not Chauvet. Failure to report damage to the carrier immediately may invalidate a claim. In addition, keep the box and contents for inspection.

For other issues, such as missing components or parts, damage not related to shipping, or concealed damage, file a claim with Chauvet within 7 days of delivery.

Text Conventions

Convention	Meaning
1–512	A range of values
50/60	A set of values of which only one can be chosen
Settings	A menu option not to be modified
<ENTER>	A key to be pressed on the product’s control panel
ON	A value to be entered or selected

Symbols

Symbol	Meaning
	Electrical warning. Not following these instructions may cause electrical damage to the product, accessories, or the user.
	Critical installation, configuration, or operation information. Not following these instructions may make the product not work, cause damage to the product, or cause harm to the operator.
	Important installation or configuration information. The product may not function correctly if this information is not used.
	Useful information.

Safety Notes

These Safety Notes include important information about installation, use, and maintenance of the Followspot 200ST.



■ **ALWAYS:**

- ◆ Connect to a grounded circuit.
- ◆ Connect to operating voltages as specified on the product's spec sticker.
- ◆ Disconnect from power before replacing the fuse.
- ◆ Disconnect from its power source during periods of inactivity.
- ◆ Heed all restrictions and warnings on the spec sticker.
- ◆ Mount in a location with at least 20 in (50 cm) of ventilation.
- ◆ Replace the fuse with the same type and rating.

■ In the event of a serious operating problem, stop using immediately.

■ **DO NOT:**

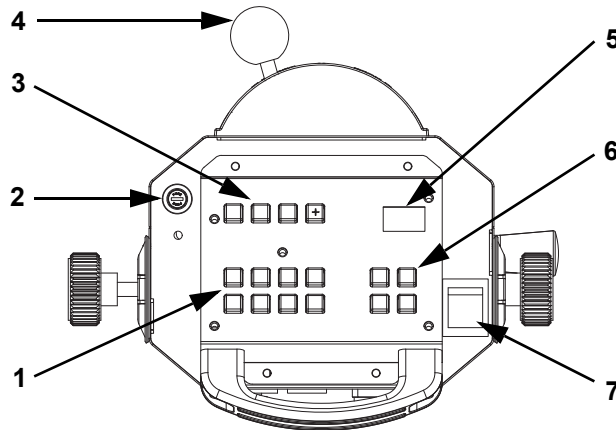
- ◆ Open this product or attempt any repairs. It contains no user-serviceable parts.
- ◆ Look at the light source when the product is on.
- ◆ Use if the power cable is crimped or damaged.
- ◆ Disconnect by pulling on the power cable.
- ◆ Allow flammable materials close to the product when it is operating.
- ◆ Touch the housing when it is on.
- ◆ Block any ventilation holes/slots in the housing.
- ◆ Connect to a dimmer or rheostat.
- ◆ Carry the product by its power cable.
- ◆ Operate in temperatures higher than 104°F (40°C).
- ◆ Expose to environments that exceed the Ingress Protection (IP) rating.
- ◆ Expose to rain or moisture.
- ◆ Use outdoors.
- ◆ Submerge.
- ◆ Set this product on a flammable surface.



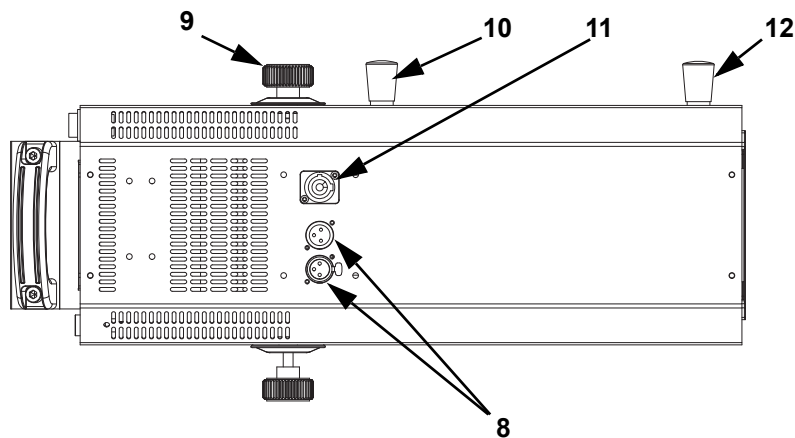
Keep this User Manual for future use. If the product is sold to someone else, be sure that they also receive this document.

2. Introduction

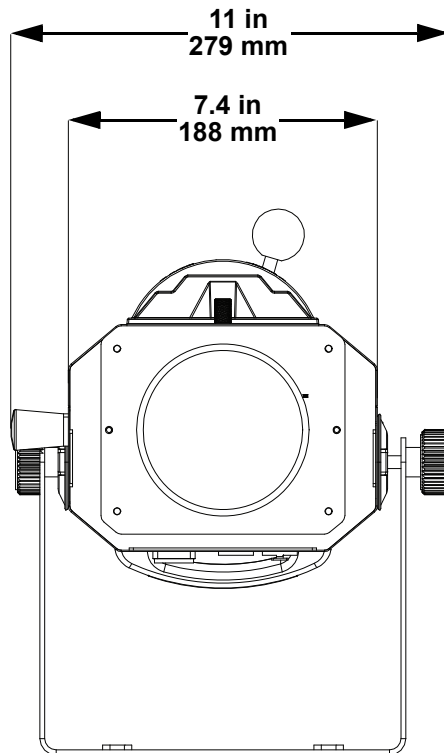
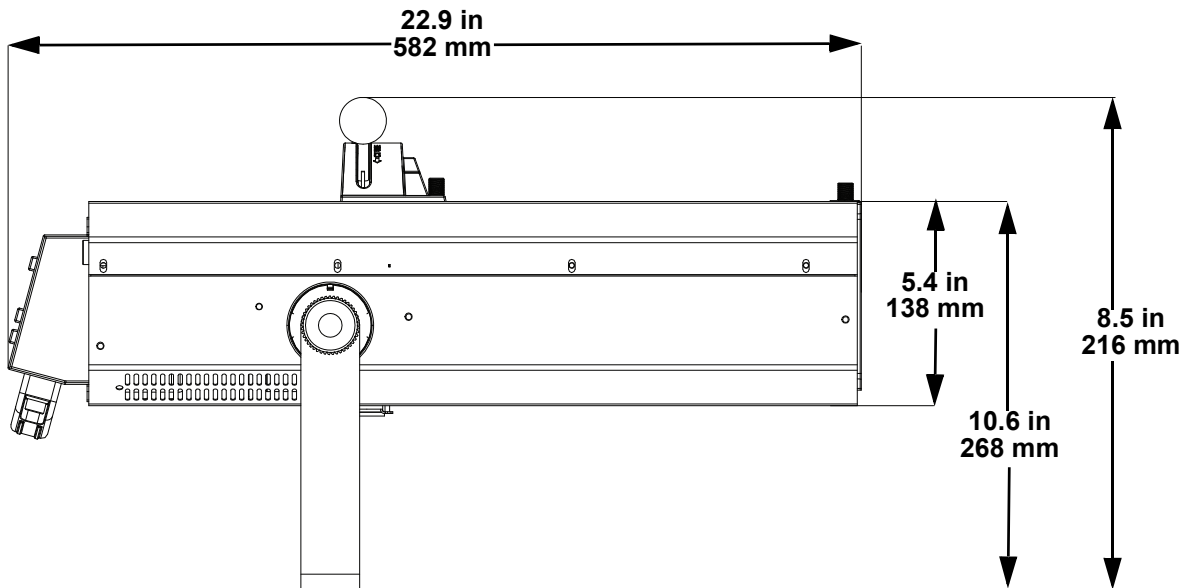
Product Overview



#	Name	#	Name
1	Preset color menu	7	Power on/off
2	Fuse holder	8	DMX in/out
3	LED control menu	9	Bracket adjustment knob
4	Iris control lever	10	Focus adjustment knob
5	LCD display	11	Power in
6	Menu buttons	12	Zoom adjustment knob



Product Dimensions



3. Setup

AC Power

The Followspot 200ST has an auto-ranging power supply and it can work with an input voltage range of 100 to 240 VAC, 50/60 Hz.

To determine the product's power requirements (circuit breaker, power outlet, and wiring), use the current value listed on the label affixed to the product's back panel, or refer to the product's specifications chart. The listed current rating indicates the product's average current draw under normal conditions.



- **Always connect the product to a protected circuit (a circuit breaker or fuse). Make sure the product has an appropriate electrical ground to avoid the risk of electrocution or fire.**
- **To eliminate unnecessary wear and improve its lifespan, during periods of non-use completely disconnect the product from power via breaker or by unplugging it.**



Never connect the product to a rheostat (variable resistor) or dimmer circuit, even if the rheostat or dimmer channel serves only as a 0 to 100% switch.

Fuse Replacement

1. Disconnect the product from power.
2. Using a Flat-head screwdriver, unscrew the fuse holder and pull it straight out.
3. Remove the blown fuse from the holder and replace with a fuse of the exact same type and rating.
4. Re-insert the fuse holder and reconnect power.



Disconnect the product from the power outlet before replacing the fuse.



Always replace a blown fuse with one of the same type and rating.

Setup

Mounting

Before mounting the product, read and follow the safety recommendations indicated in the [Safety Notes](#).

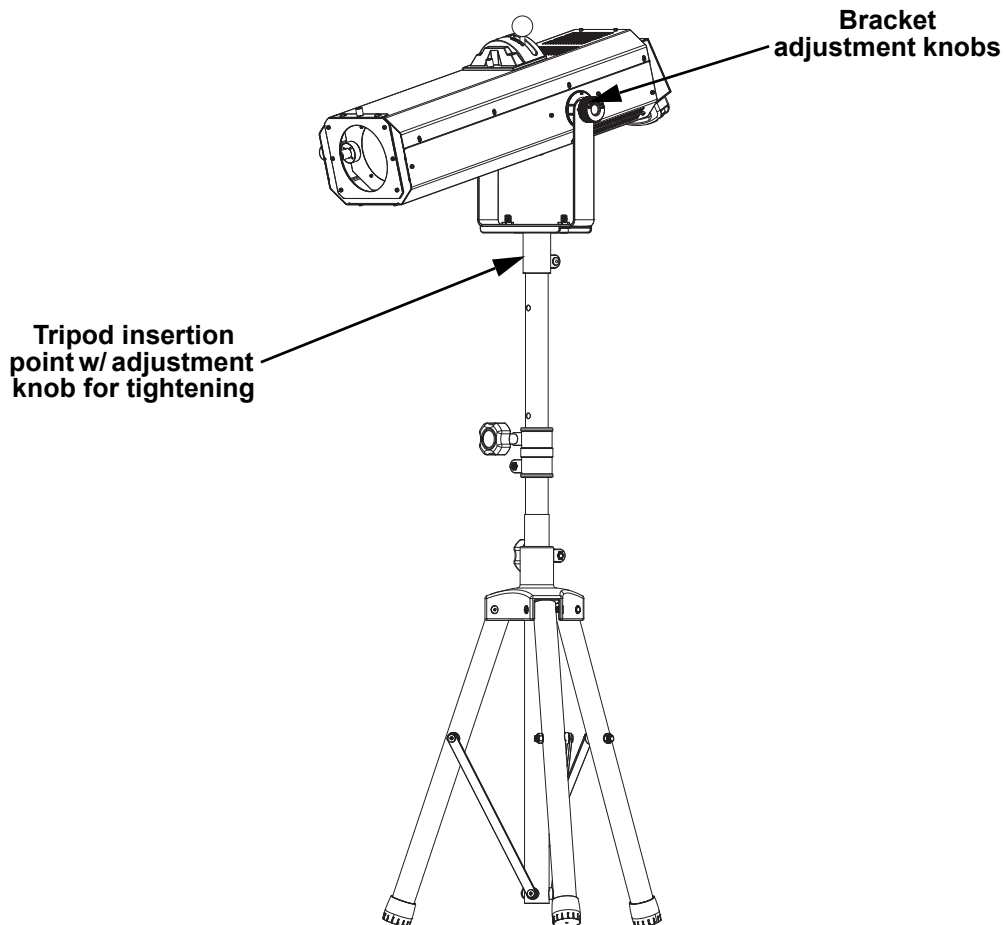
Orientation

Once the Followspot 200ST is mounted, make sure adequate ventilation is provided around the product.

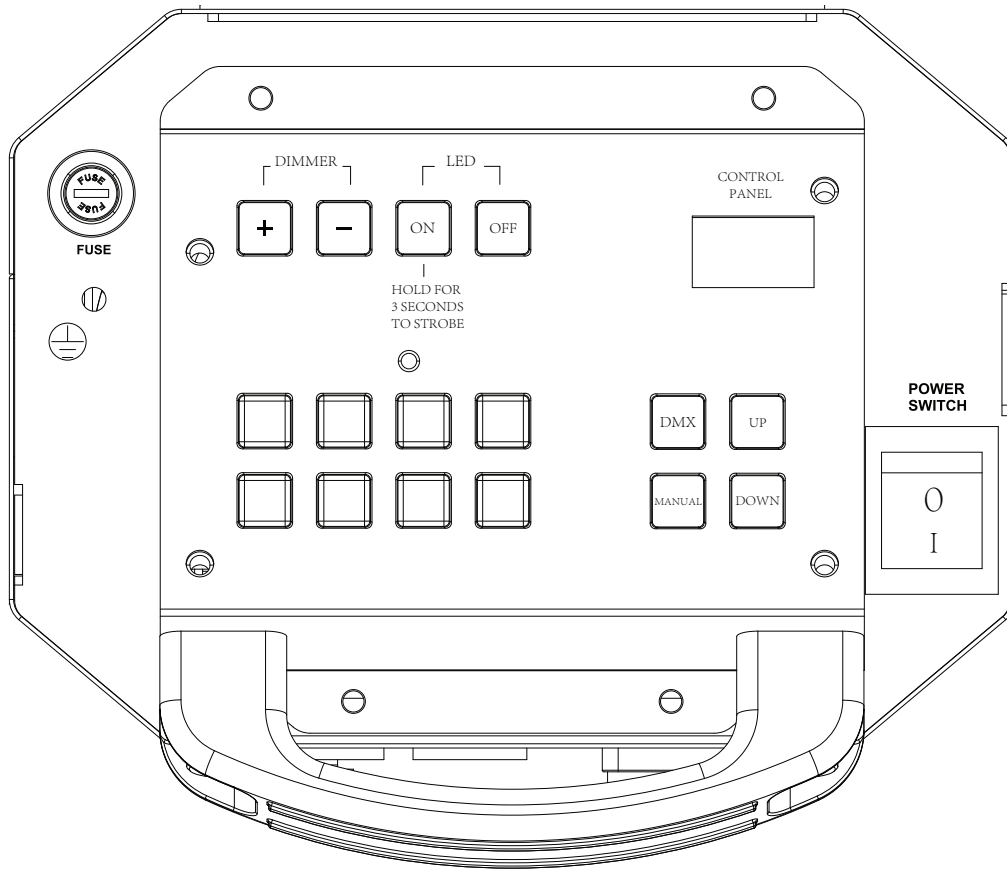
Rigging

- Before deciding on a location for the product, always make sure there is easy access to the product for maintenance and programming.
- The bracket adjustment knobs allow for directional adjustment when aiming the product to the desired angle. Only loosen or tighten the bracket knobs manually. Using tools could damage the knobs.
- When mounting the product on the floor, make sure that the product and cables are away from people and vehicles.

Mounting Diagram



4. Operation



Control Panel Operation

To access the control panel functions, use the four buttons located underneath the display. Please refer to the [Product Overview](#) to see the button locations on the control panel.

Label/Color	Function
<+> <->	Press to increase or decrease the dimmer.
<ON>	Press to turn on the LED when blackout is activated. Hold for 3 secs for strobe effect.
<BLACKOUT>	Press to turn off the LED.
<Orange>	Selects the color orange.
<Blue>	Selects the color blue.
<Red>	Selects the color red.
<Green>	Selects the color green.
<Magenta>	Selects the color magenta.
<Yellow>	Selects the color yellow.
<CTO>	Selects CTO.
<White>	Selects the color white.
<DMX>	Activates DMX mode.
<MANUAL>	Activates manual mode.
<UP>/<DOWN>	Selects the DMX channel from 001–510 .

Menu Map

Refer to the Followspot 200ST product page on www.chauvetdj.com for the latest menu map and software.

Main Level	Programming Levels	Description
DMX Mode	001–510	Selects address for 3Ch DMX mode
Manual Mode	NAn	Selects manual operation of LED and color wheel

DMX Configuration

The Followspot 200ST works with a DMX controller. Information about DMX is in the Chauvet DMX Primer, which is available from the Chauvet website: chauvetlighting.com/downloads/DMX_Primer_rev05_WO.pdf.

Personality and Starting Address

The Followspot 200ST uses up to 3 DMX channels in the **3-channel** DMX mode, which defines the highest configurable address to **510**.

When selecting a starting DMX address, always consider the number of DMX channels the DMX mode uses. If the starting address is set too high, access to some channels could be restricted.

For information about the DMX protocol, download the DMX Primer from www.chauvetdj.com.

To select the personality and starting address, do the following:

1. Press **<DMX>** to show the DMX address in the display.
2. Use **<UP>** or **<DOWN>** to select the starting address, from **001–510**.

DMX Channel Assignments and Values

DMX Charts

Channel	Function	Value	Percent/Setting
1	Dimmer	000 ⇔ 255	0-100% when channel 3 is set to 4–255
		000 ⇔ 031	White
2	Color Wheel	031 ⇔ 063	CTO
		064 ⇔ 095	Yellow
		096 ⇔ 127	Magenta
		128 ⇔ 159	Green
		160 ⇔ 191	Red
		192 ⇔ 223	Blue
		224 ⇔ 255	Orange
		3	Strobe
004 ⇔ 007	Open		
008 ⇔ 215	Slow to fast		
216 ⇔ 255	Open		

Manual Configuration

Ensure that the product is in manual mode to operate without a DMX controller.



Never connect a product that is operating in any standalone mode to a DMX string connected to a DMX controller. Products in standalone mode may transmit DMX signals that could interfere with the DMX signals from the controller.

Dimmer Control

To dim the Followspot 200ST:

1. Use **<+>** to increase the dimmer from **000–100**.
2. Use **<->** to decrease the dimmer from **000–100**.

LED Control

Blackout

1. Press **<BLACKOUT>** to turn off the LED.
2. Press **<ON>** to turn on the LED when blackout is activated.

Strobe

1. Hold **<ON>** for 3 seconds to activate the strobe effect.

Color Wheel

To run the Followspot 200ST with a preset color:

1. Press the preset color menu buttons, from Orange, Blue, Red, Green, Magenta, Yellow, CTO, or White.

Color Wheel Calibration Mode

To calibrate the color wheel of the Followspot 200ST:

1. Press and hold **<MANUAL>** for 6 seconds, or until the current calibration value appears on the display.
2. Use **<UP>** or **<DOWN>** to increase or decrease the color wheel calibration value until the color wheel is aligned as desired.
3. Press and hold **<MANUAL>** for 6 seconds to exit.

5. Maintenance

Product Maintenance

Dust build-up reduces light output performance and can cause overheating. This can lead to reduction of the light source's life and/or mechanical wear. To maintain optimum performance and minimize wear, clean all lighting products at least twice a month. However, be aware that usage and environmental conditions could be contributing factors to increase the cleaning frequency.

To clean the product, follow the instructions below:

1. Unplug the product from power.
2. Wait until the product is at room temperature.
3. Use a vacuum (or dry compressed air) and a soft brush to remove dust collected on the external surface/vents.
4. Clean all transparent surfaces with a mild soap solution, ammonia-free glass cleaner, or isopropyl alcohol.
5. Apply the solution directly to a soft, lint free cotton cloth or a lens cleaning tissue.
6. Softly drag any dirt or grime to the outside of the transparent surface.
7. Gently polish the transparent surfaces until they are free of haze and lint.



Always dry the transparent surfaces carefully after cleaning them.



Do not spin the cooling fans using compressed air because they could be damaged.

6. Technical Specifications

Dimensions and Weight

Length	Width	Height	Weight
22.9 in (582 mm)	11 in (279 mm)	8.5 in (216 mm)	14.6 lb (6.6 kg)

Note: Dimensions in inches are rounded.

Power

Power Supply Type	Range	Voltage Selection
Switching (internal)	100 to 240 VAC, 50/60 Hz	Auto-ranging
Parameter	120 V, 60 Hz	230 V, 50 Hz
Consumption	264 W	258 W
Operating Current	2.2 A	1.2 A
Fuse	F 4 A, 250 V	F 4 A, 250 V
Power I/O	U.S./Worldwide	UK/Europe
Power input connector	IEC	IEC
Power output connector	Edison	IEC
Power cable plug	Edison (U.S.)	Local Plug

Light Source

Type	Color	Quantity	Power	Current	Lifespan
LED	Cool white	1	200 W	15.8 A	50,000 hours

Photometrics

Color temperature	Color temperature (CTO)	Strobe rate	Lumens
13,000 K	4,000 K	0 to 25 Hz	9,349
Zoom angle (manual)	Illuminance (12°) @ 2m	Illuminance (12°) @ 5m	
12° to 17°	54,569 lux	8,731 lux	

Thermal

Maximum External Temperature	Cooling System
104 °F (40 °C)	Fan-assisted Convection

DMX

I/O Connector	Channel Range
3-pin XLR	3CH

Ordering

Product Name	Item Code	UPC Number
Followspot 200ST	08042340	781462226886



Contact Us

General Information	Technical Support
Chauvet World Headquarters	
Address: 3360 Davie Rd., Suite 509 Davie, FL 33314 Voice: (954) 577-4455 Fax: (954) 929-5560 Toll Free: (800) 762-1084	Voice: (844) 393-7575 Fax: (954) 756-8015 Email: chauvetcs@chauvetlighting.com Website: www.chauvetdj.com
Chauvet U.K.	
Address: Pod 1 EVO Park Little Oak Drive, Sherwood Park Nottinghamshire, NG15 0EB UK Voice: +44 (0) 1773 511115 Fax: +44 (0) 1773 511110	Email: UKtech@chauvetlighting.eu Website: www.chauvetdj.eu
Chauvet Benelux	
Address: Vaartlaan 9 9800 Denize Belgium Voice: +32 9 388 93 97	Email: BNLtech@chauvetlighting.eu Website: www.chauvetdj.eu
Chauvet France	
Address: 3, Rue Ampère 91380 Chilly-Mazarin France Voice: +33 1 78 85 33 59	Email: FRtech@chauvetlighting.fr Website: www.chauvetdj.eu
Chauvet Germany	
Address: Bruno-Bürgel-Str. 11 28759 Bremen Germany Voice: +49 421 62 60 20	Email: DEtech@chauvetlighting.de Website: www.chauvetdj.eu
Chauvet Mexico	
Address: Av. de las Partidas 34 - 3B (Entrance by Calle 2) Zona Industrial Lerma Lerma, Edo. de México, CP 52000 Voice: +52 (728) 690-2010	Email: servicio@chauvet.com.mx Website: www.chauvetdj.mx

Warranty & Returns

For warranty terms and conditions and return information, please visit our website.

For customers in the United States and Mexico: www.chauvetlighting.com/warranty-registration.

For customers in the United Kingdom, Republic of Ireland, Belgium, the Netherlands, Luxembourg, France, and Germany: www.chauvetlighting.eu/warranty-registration.